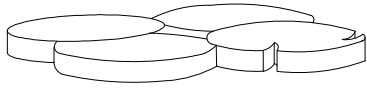
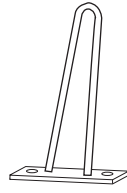


ASSEMBLY INSTRUCTION



x01



x04



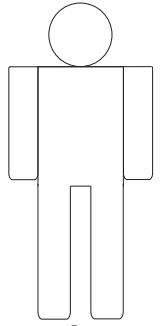
x08



x08

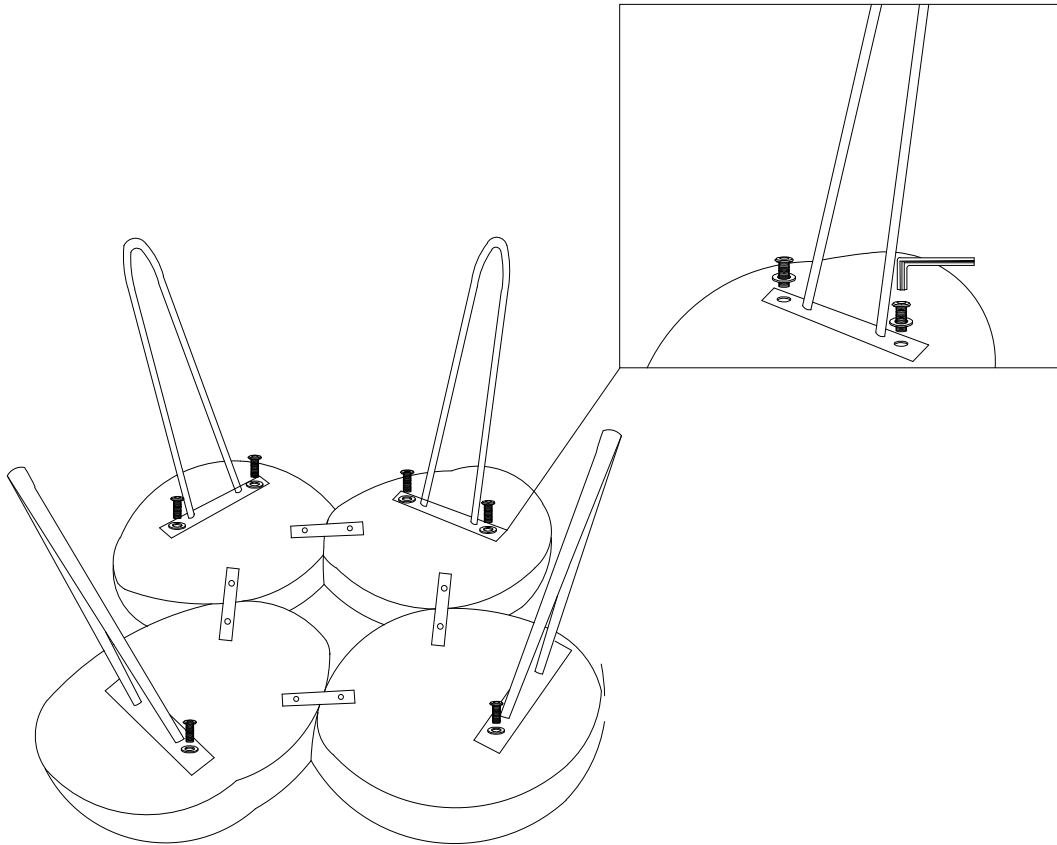


x01



2

Step-1



Step-2

